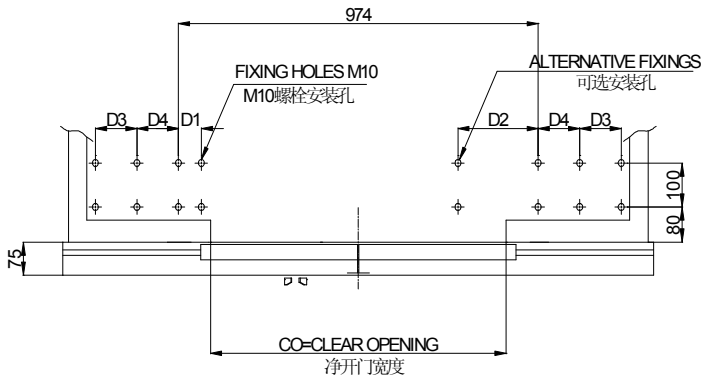
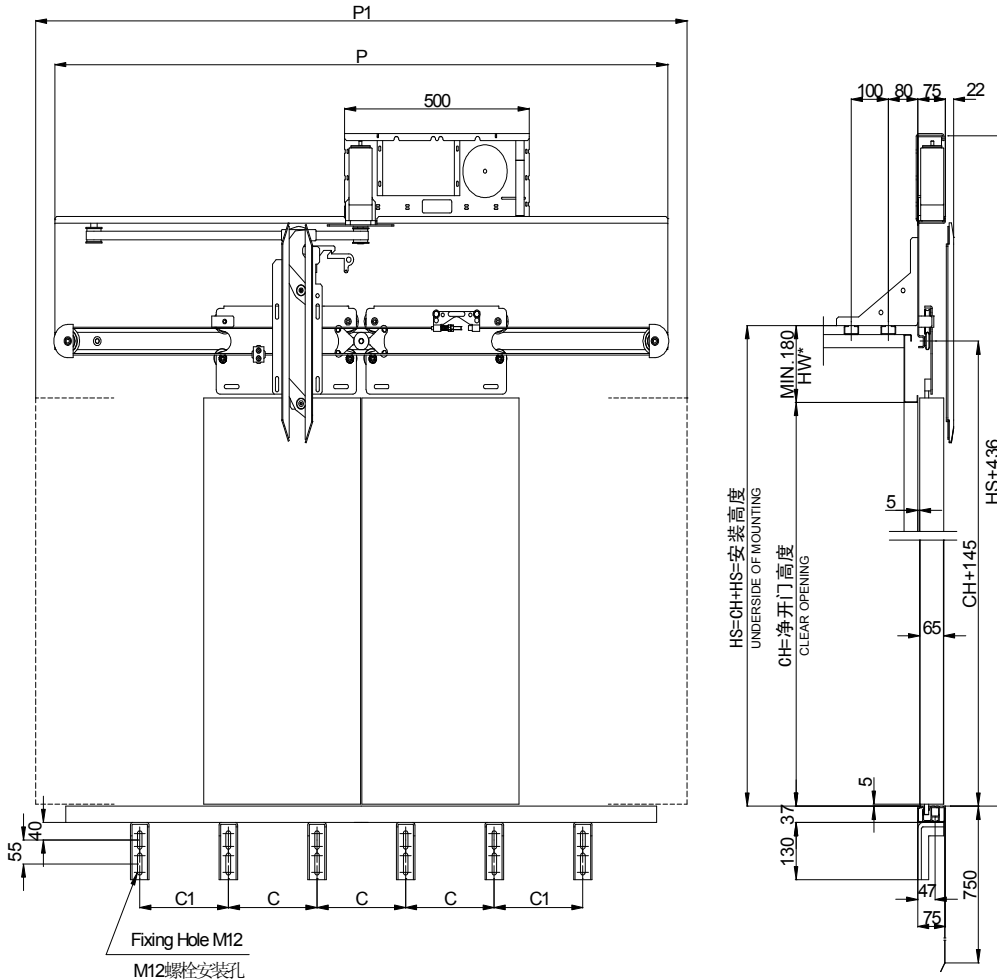


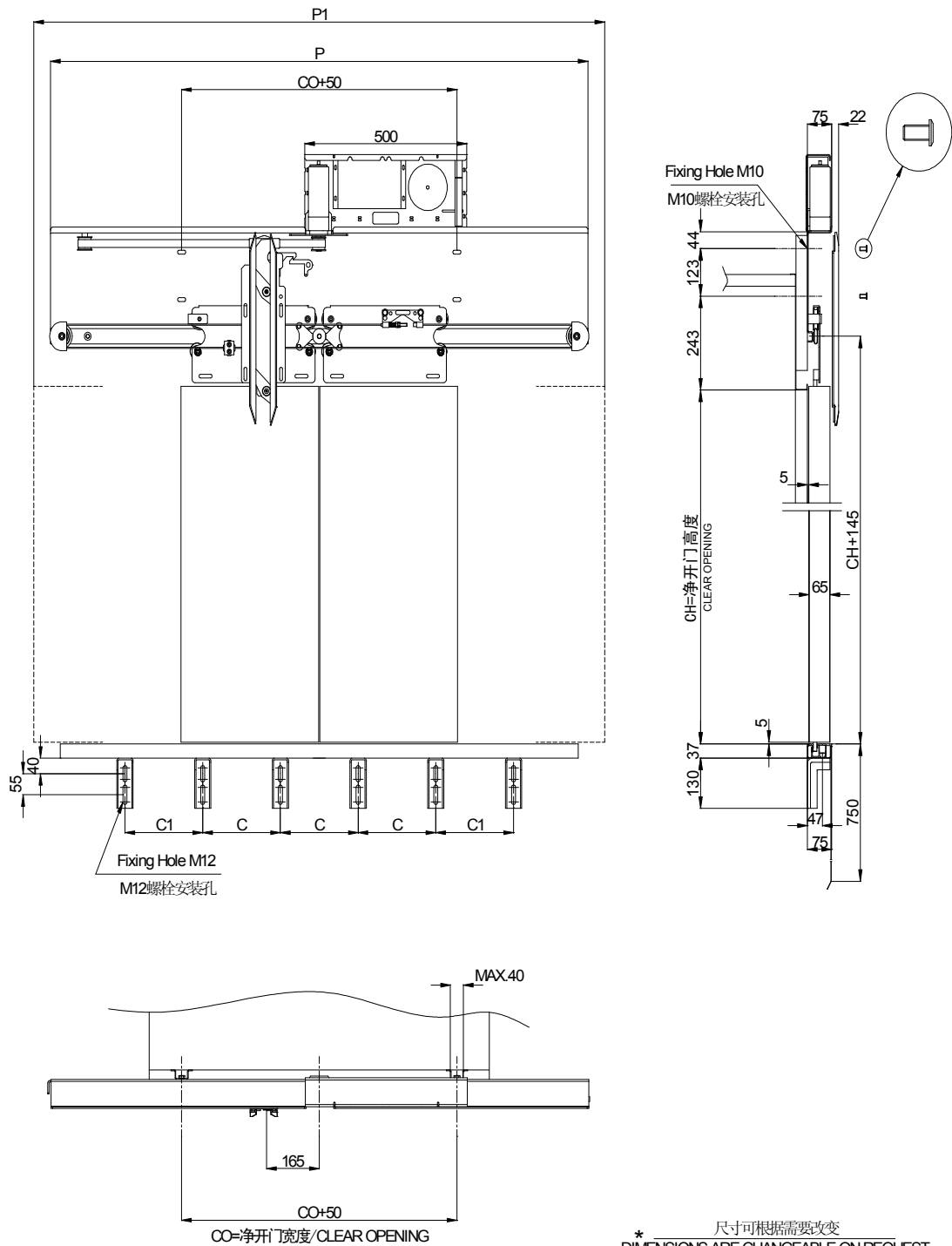
GDO 2CC 轿门 (地坎宽度=75MM)
Car Doors Series GDO 2CC (Sill Width=75MM)



* 尺寸可根据需要改变
DIMENSIONS ARE CHANGEABLE ON REQUEST

| | | | | | | | | | | | | | | | | | | | | | | | | | | | |
|----|------|------|------|------|------|------|------|------|------|------|------|------|------|------|------|------|------|------|------|------|------|------|------|------|------|------|------|
| CO | 500 | 550 | 600 | 650 | 700 | 750 | 800 | 850 | 900 | 950 | 1000 | 1050 | 1100 | 1150 | 1200 | 1250 | 1300 | 1350 | 1400 | 1450 | 1500 | 1550 | 1600 | 1650 | 1700 | 1750 | 1800 |
| C | 250 | | | | 400 | | | | 550 | | | | 542 | | | | 552 | 562 | 409 | 416 | 423 | 430 | 483 | | | | |
| C1 | / | | | | | | | | | | | | 409 | | | | 416 | 423 | 430 | 483 | | | | | | | |
| D1 | 62 | | | | / | | | | | | | | | | | | | | | | | | | | | | |
| D2 | 217 | | | | / | | | | | | | | | | | | | | | | | | | | | | |
| D3 | / | | | | 225 | | | | | | | | | | | | | | | | | | | | | | |
| D4 | / | | | | 163 | | | | | | | | | | | | / | | | | | | | | | | |
| P | 1100 | 1150 | 1290 | 1290 | 1390 | 1560 | 1660 | 1710 | 1890 | 1940 | 1990 | 2040 | 2090 | 2140 | 2440 | 2540 | 2590 | 2640 | 2690 | 2960 | 3010 | 3060 | 3110 | 3160 | 3210 | 3260 | 3630 |
| P1 | 1100 | 1150 | 1290 | 1350 | 1450 | 1560 | 1660 | 1750 | 1890 | 1950 | 2050 | 2150 | 2250 | 2350 | 2450 | 2550 | 2650 | 2750 | 2850 | 2960 | 3050 | 3150 | 3250 | 3350 | 3450 | 3550 | 3650 |

GDO 2CC 前壁安装示意图
Bracket Positioning For GDO 2CC Frontwall Fixing



| | | | | | | | | | | | | | | | | | | | | | | | | | | | | | | | | | | | | | | | | | | | | |
|----|------|------|------|------|------|------|------|------|------|------|------|------|------|------|------|------|------|------|------|------|------|------|------|------|------|------|------|--|-----|--|--|--|-----|--|--|--|-----|--|--|--|-----|--|--|--|
| CO | 500 | 550 | 600 | 650 | 700 | 750 | 800 | 850 | 900 | 950 | 1000 | 1050 | 1100 | 1150 | 1200 | 1250 | 1300 | 1350 | 1400 | 1450 | 1500 | 1550 | 1600 | 1650 | 1700 | 1750 | 1800 | | | | | | | | | | | | | | | | | |
| C | 250 | | | | 400 | | | | 550 | | | | 542 | | | | 552 | | | | 562 | | | | 409 | | | | 416 | | | | 423 | | | | 430 | | | | 483 | | | |
| C1 | / | | | | | | | | | | | | | | | | | | | | | | | | | | | | | | | | | | | | | | | | | | | |
| P | 1100 | 1150 | 1290 | 1290 | 1390 | 1560 | 1660 | 1710 | 1890 | 1940 | 1990 | 2040 | 2090 | 2140 | 2440 | 2540 | 2590 | 2640 | 2690 | 2960 | 3010 | 3060 | 3110 | 3160 | 3210 | 3260 | 3630 | | | | | | | | | | | | | | | | | |
| P1 | 1100 | 1150 | 1290 | 1350 | 1450 | 1560 | 1660 | 1750 | 1890 | 1950 | 2050 | 2150 | 2250 | 2350 | 2450 | 2550 | 2650 | 2750 | 2850 | 2960 | 3050 | 3150 | 3250 | 3350 | 3450 | 3550 | 3650 | | | | | | | | | | | | | | | | | |