

GLASS DOOR APPLICATION

Features:

- ◆ Meet GB7588-2003/EN81-1 elevator manufacturing standards
- ◆ Compact construction, can apply various stainless steel for decorative frame
- ◆ Using high strength & high permeability tempered laminated glass
- ◆ Perfect alignment of glass and stainless steel frame

Type 1 framed glass door : suitable for variety passenger lifts and panoramic lifts for important projects

Classic application: Indonesia consulate in Singapore



Type 2 full glass door covered type : suitable for variety passenger lifts and panoramic lifts for important projects

Classic application: Golf Island Villas



启元快报 GENESIS NEWS

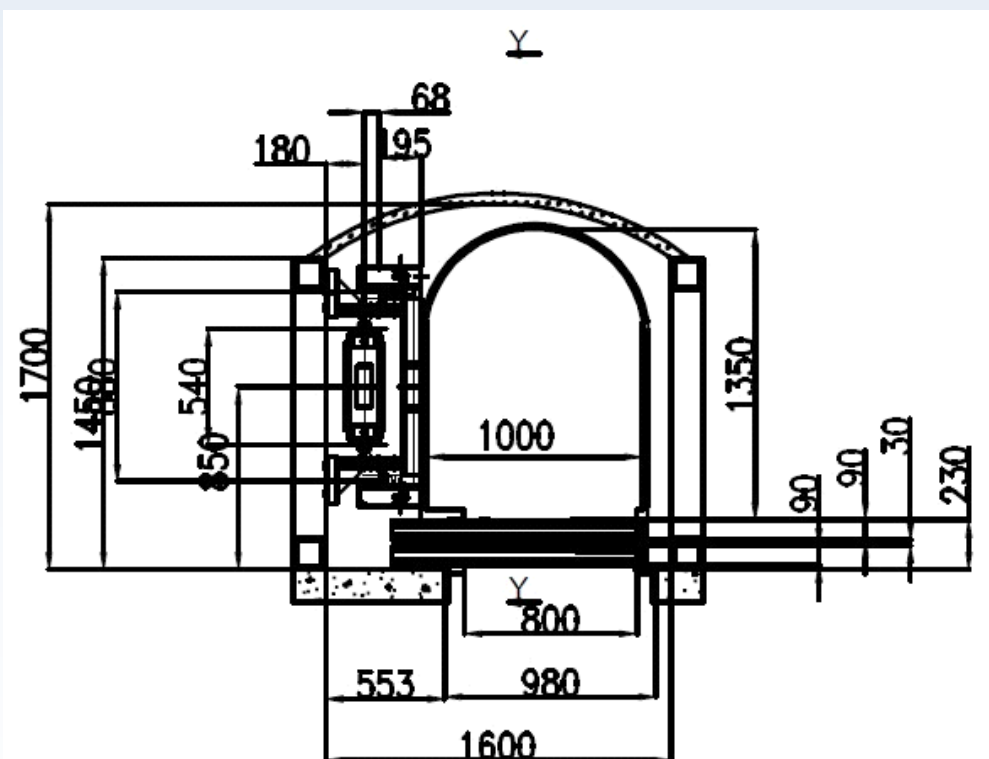
季报
Year 2013
Season 3

L-FRAME HOMELIFT — ROUND CABIN

Genesis can not only provide standard homelift design and manufacture, but also OEM panoramic homelift with round cabin. Here is one reference we designed for a well-known elevator company in Jul. 2013:

Floorplan :

Rending:

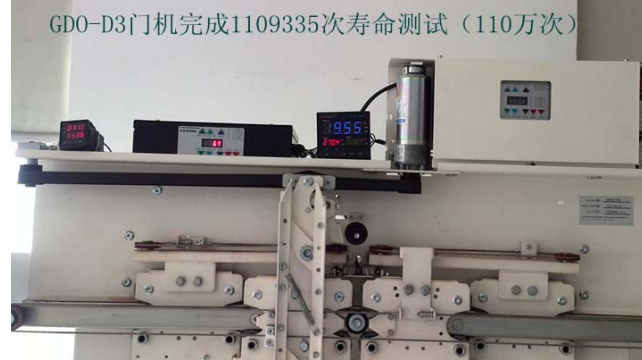
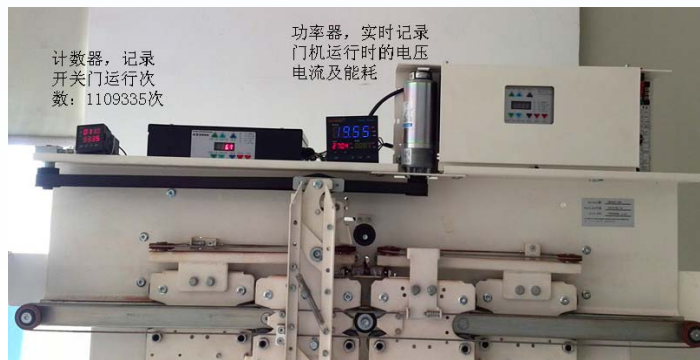


Genesis has been committed to research and develop structural stability and comfortable homelift. Our L-frame homelift has been widely used in the field of homelift and repeatedly acknowledgement by the market. We'll try our best to improve product, optimizing the structure to provide customers with even better products and solutions.

GENESIS- PURSUING QUALITY

Each of our new products has been rigorously tested for reliability and long life-time with over Million cycle's life-time testing. The performance of the product, the mechanical structure, temperature of motor, performance of motor and controller as well as noise level will be strictly monitored and recorded.

测试报告									
序号	日期时间	运行次数	工作电压220VAC 高压+20% 低压-20%	载重	电机温度	变频器温度	噪音	情况描述	测试人
1	2013.1.29	601810	264	80%	67.2°C	20.1°C	63.8dB	正常	吴磊
2	2013.1.30	619834	264	80%	67.2°C	20.1°C	63.8dB		
3	2013.1.30	617998	264	80%	67.2°C	20.1°C	63.8dB		
4	2013.2.2	619984	264	80%	67.2°C	20.1°C	63.8dB		
5	2013.2.3	625578	264	80%	67.2°C	20.1°C	63.8dB		
6	2013.2.4	632061	176	80%	67.2°C	20.1°C	63.8dB		
7	2013.2.5	638555	176	80%	67.2°C	20.1°C	63.8dB		
8	2013.2.21	645049	176	80%	67.2°C	20.1°C	63.8dB		
9	2013.2.22	651543	176	80%	67.2°C	20.1°C	63.8dB		
10	2013.2.23	658037	176	80%	67.2°C	20.1°C	63.8dB		
11	2013.2.24	664531	176	80%	67.2°C	20.1°C	63.8dB		
12	2013.2.27	671025	176	80%	67.2°C	20.1°C	63.8dB		
13	2013.2.28	677519	176	80%	67.2°C	20.1°C	63.8dB		
14	2013.3.3	684013	176	80%	67.2°C	20.1°C	63.8dB		
15	2013.3.11	690507	264	80%	67.2°C	20.1°C	63.8dB		
16	2013.3.12	697001	264	80%	67.2°C	20.1°C	63.8dB		
17	2013.3.13	703495	264	80%	67.2°C	20.1°C	63.8dB		
18	2013.3.13	710000	220	80%	67.2°C	20.1°C	63.8dB		
19	2013.3.15	716494	220	80%	67.2°C	20.1°C	63.8dB		
20	2013.3.16	722988	220	80%	67.2°C	20.1°C	63.8dB		
21	2013.3.18	729482	220	80%	67.2°C	20.1°C	63.8dB		
22	2013.3.18	735976	81	80%	67.2°C	20.1°C	63.8dB		
23	2013.3.21	742470	81	80%	67.2°C	20.1°C	63.8dB		
24	2013.3.22	748964	81	80%	67.2°C	20.1°C	63.8dB		
25	2013.3.25	755458	81	80%	67.2°C	20.1°C	63.8dB		
26	2013.3.26	761952	81	80%	67.2°C	20.1°C	63.8dB		
27	2013.3.27	768446	81	80%	67.2°C	20.1°C	63.8dB		
28	2013.3.31	774940	81	80%	67.2°C	20.1°C	63.8dB		
29	2013.4.1	781434	81	80%	67.2°C	20.1°C	63.8dB		
30	2013.4.1	787928	81	80%	67.2°C	20.1°C	63.8dB		



启元快报 GENESIS NEWS

季报
Year 2013
Season 3



Welcome to visit our booth at Interlift 2013!
Booth no.3171 in Hall 3

Oct 15-18, 2013, Augsburg Germany

