

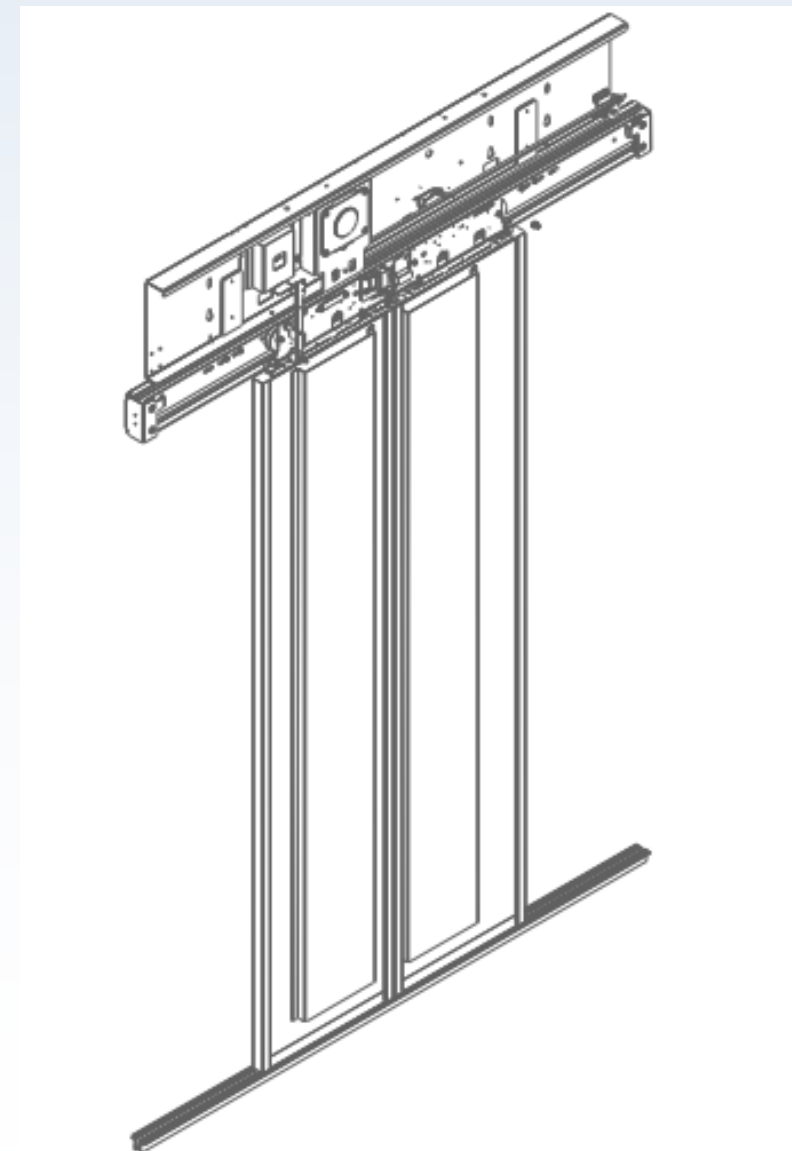


In the year of 2020 shrouded by the COVID-19 virus, Genesis overcome the difficult time with global customers and partners.

Thanks for your support and trust in the past years!

New year 2021 is coming, Genesis team wishes all our customers and business partners Happy Chinese New Year. We will continue to grow and create new success!

## Modernization Solutions



Modernization Package for AMD door systems

AMD is door system which can be used for any kind of application. The modular concept ensures high flexibility. Due to the geared motor, the AMD door is very compact and build-in dimensions.

For the modernization market, we made the door package to change the AMD door operator and hanger.

The advantage of the package are:

Door operator

1. Used ACPM Gearless motor to replace the geared motor, lower noise
2. Servo controller can work with different lift controller
3. Same size of the door operator can fixing with old hole in the cabin. No need any modify.
4. Same panel interface, you can keep the old panel.
5. You can keep the old coupler or use the new coupler form us.

Landing door hanger

1. You can keep the old door frame and emergency release
2. You can keep the old panels and sill.

## Helipad Lift Door Project

Genesis has successively provided several helipad lift doors with automatic central door system which meets the requirements of elevator standards.



### Zengcheng Maternal and Child Health Care Center

2-panel center opening  
1200\*2200mm with st.st  
panel

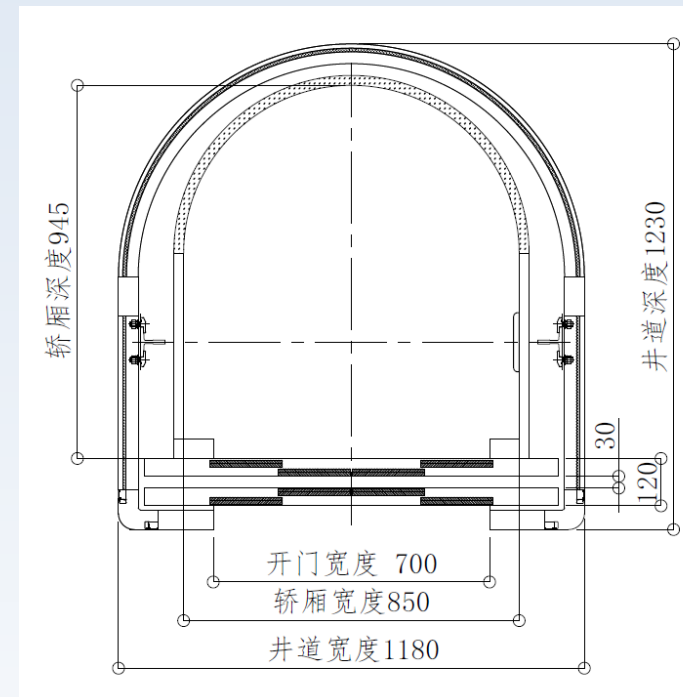


### Jinan Yinfeng Fortune Building

2-panel center opening  
1000\*2200mm with  
bronzed st.st. panel

## GENESIS NEWS

### Home Lift Project



### Super small space installation project

The semi-circle lift door was successfully installed in the limited space, 4-panel center opening narrow door. Pit depth 200mm、overhead height 2760mm、sill width 45mm.

